



# Dockable/Portable Media Player

MODEL DP1020

<b>NON-TRANSFERABLE LIMITED CONSUMER WARRANTY</b> .....	<b>.3</b>
<b>SAFETY INSTRUCTIONS AND CAUTIONS</b> .....	<b>.4</b>
<b>WELCOME</b> .....	<b>.6</b>
<b>WHAT'S INCLUDED</b> .....	<b>.6</b>
<b>IMPORTANT INFORMATION</b> .....	<b>.7</b>
When Cleaning the Vehicle .....	7
While Driving .....	7
When Parked .....	7
Proper Use .....	7
Repairs .....	7
Radio/TV Tuner Use .....	7
Installation .....	7
Picture Quality .....	8
FCC Notice .....	8
<b>FEATURES</b> .....	<b>.9</b>
<b>DISC NOTES</b> .....	<b>.10</b>
<b>DVD OPERATION</b> .....	<b>.12</b>
<b>REMOTE CONTROL</b> .....	<b>.14</b>
BATTERY REPLACEMENT .....	17
<b>DVD OPERATION</b> .....	<b>.18</b>
<b>SETUP</b> .....	<b>.22</b>
<b>DOCK FOR DVD UNIT</b> .....	<b>.24</b>
<b>BKT FOR DVD UNIT</b> .....	<b>.32</b>
<b>TROUBLE SHOOTING</b> .....	<b>.36</b>

# NON-TRANSFERABLE LIMITED CONSUMER WARRANTY

.....

This product is sold with a LIMITED 90-day manufacturer's warranty. Directed Electronics ("Directed") promises to the original purchaser that the product will be free from defects in materials and workmanship under normal use and condition for a period of ninety (90) days after the date of purchase. A sales receipt and/or warranty registration card is required to provide proof of date of purchase of the Product.

Product defect occurring within the first 90 days after retail purchase by the end consumer will be repaired or replaced with new or reconditioned part(s), at Directed's sole election. To obtain warranty service, the Product must be returned, postage pre-paid addressed to Directed, along with a legible copy of the receipt and the following information: Consumer's name, telephone number and address, authorized dealer/purchase location name and address and product description. ALL PRODUCTS RECEIVED BY DIRECTED FOR WARRANTY REPAIR WITHOUT PROOF OF PURCHASE WILL BE DENIED. Note: This warranty does not cover labor costs for the removal or reinstallation of the Product. Product must be returned to the following address: ATTN: WARRANTY DEPARTMENT, Directed Electronics, 1 Viper Way, Vista, CA 92081.

This warranty is non-transferable and does not apply to any Product that has been modified or used in a manner contrary to its intended purpose, and does not cover damage to the Product caused by installation or removal of the Product. This warranty is VOID if the product has not been purchased from Directed or an authorized Directed dealer, or if the Product has been damaged by accident, unreasonable use, negligence, acts of God, neglect, improper service or other causes not arising out of defect in materials or construction. This warranty does not cover the elimination of externally generated static or noise, or the correction of antenna problems or weak television reception, damage to tapes, video games, software, camcorders, discs, speakers, accessories, electrical systems, cosmetic damage or damage due to negligence, misuse, abuse, failure to follow operating instructions, accidental spills or customer applied cleaners, damage due to environmental causes such as floods, airborne fallout, chemicals, salt, hail, windstorms, lightning or extreme temperatures, damage due to accidents, road hazards, fire, theft, loss or vandalism, damage due to improper connection to equipment of another manufacturer, modification of existing equipment, use of a faulty tape cartridge or cleaning, or Product which has been opened or tampered with for any reason or which has been damaged due to alteration or service performed by anyone other than Directed. This warranty is only valid for sale of Product within the United States of America. Product sold outside of the United States of America is sold "AS IS," and shall have NO WARRANTY, express or implied

THIS LIMITED WARRANTY IS THE ONLY WARRANTY FOR THIS PRODUCT. ALL OTHER WARRANTIES, INCLUDING BUT NOT LIMITED TO EXPRESS WARRANTY, IMPLIED WARRANTY, WARRANTY OF MERCHANTABILITY, FITNESS FOR PARTICULAR PURPOSE, AND WARRANTY OF NON-INFRINGEMENT OF INTELLECTUAL PROPERTY ARE EXPRESSLY EXCLUDED TO THE MAXIMUM EXTENT ALLOWED BY LAW, AND DIRECTED NEITHER ASSUMES NOR AUTHORIZES ANY PERSON TO ASSUME FOR IT ANY LIABILITY IN CONNECTION WITH THE SALE OF THE PRODUCT. DIRECTED HAS ABSOLUTELY NO LIABILITY FOR ANY AND ALL ACTS OF THIRD PARTIES INCLUDING ITS LICENSED DEALERS OR INSTALLERS. IN NO EVENT WILL DIRECTED BE LIABLE FOR ANY INCIDENTAL, SPECIAL OR CONSEQUENTIAL DAMAGES (INCLUDING LOSS OF PROFITS). BY PURCHASING THIS PRODUCT, THE CONSUMER AGREES AND CONSENTS THAT ALL DISPUTES BETWEEN THE CONSUMER AND DIRECTED SHALL BE RESOLVED IN ACCORDANCE WITH CALIFORNIA LAWS IN SAN DIEGO COUNTY, CALIFORNIA.

Some states do not allow limitation on how long an implied warranty lasts. In such states, the limitations or exclusions of this Limited Warranty may not apply. Some states do not allow the exclusion or limitation of incidental or consequential damages. In such states, the exclusion or limitation of this Limited Warranty may not apply to you. This Limited Warranty gives you specific legal rights, and you may have other rights which vary from state to state.

# SAFETY INSTRUCTIONS AND CAUTIONS

---



**WARNING:** TO REDUCE THE RISK OF FIRE OR ELECTRIC SHOCK, DO NOT EXPOSE THIS EQUIPMENT TO RAIN OR MOISTURE. TO REDUCE THE RISK OF FIRE OR ELECTRIC SHOCK AND ANNOYING INTERFERENCE, USE ONLY THE INCLUDED HARDWARE.

THIS MONITOR IS ONLY DESIGNED FOR REAR SEAT PASSENGER VIEWING AND IS NOT INTENDED FOR VIEWING BY THE DRIVER WHILE THE VEHICLE IS IN MOTION. SUCH USE MAY DISTRACT THE DRIVER OR INTERFERE WITH THE SAFE OPERATION OF THE VEHICLE, AND MAY ALSO VIOLATE STATE LAW.

DIRECTED ELECTRONICS DISCLAIMS ANY LIABILITY FOR ANY BODILY INJURY, INCLUDING FATALITIES, OR PROPERTY DAMAGE THAT MAY RESULT FROM ANY IMPROPER OR UNINTENDED USES OF THIS PRODUCT.

SHOULD THE LCD PANEL BREAK OR LEAK FLUID, AVOID ALL CONTACT WITH THE UNIT. IF YOU SHOULD COME IN CONTACT WITH THE LEAKED FLUID, WASH THE AFFECTED AREA THOROUGHLY WITH WATER AND SEEK IMMEDIATE MEDICAL ATTENTION.

- During operation, if the unit should over-heat or malfunction, switch off the unit and see your dealer. Do not disassemble the unit as there are no user-serviceable parts in this unit and the warranty will be voided.
- Should there be a need to replace a blown fuse, turn off the unit and disconnect all power to the player. Use only the correct rating fuse to avoid electrical damage to the unit.
- Only operate the monitor as described in this guide. Attempts to use or modify this monitor contrary to the descriptions in this guide may cause damage and void the warranty.
- Extremes in temperature can cause abnormal display operation. This monitor has an optimal operating temperature range between 32–120 degrees Fahrenheit. If the vehicle interior is outside this range, do NOT operate the monitor until the temperature is within its operating range.
- Exposure to moisture or dust can cause harmful damage to the internal electronics. Do not mount near cup holders or in areas where spills may occur.
- This monitor is designed for use in vehicles with standard (-) 12 volt ground electrical systems.
- Do not operate for an extended period of time without the engine running or the vehicle's battery voltage may drop to levels precluding engine starting.
- Do not drop the LCD panel or subject it to direct impact. This will damage the panel and/or the back light element.
- When operating the unit, avoid contact with the LCD panel.
- Prevent metal or foreign objects being locked between the LCD screen and the enclosure.
- Keep unit away from equipment with strong magnets such as large loudspeakers.

- Use the Proper Power Supply This product is designed to operate with a 12 volt DC, negative ground battery system.
- Protect the Disc Mechanism
- Avoid inserting any foreign objects into the disc driver of this player. Failure to observe this may cause malfunction due to the precise mechanism of this unit.
- Use Authorized Service Centers
- Do not attempt to disassemble or adjust this precision product. Please refer to the Service Center list that is included with this product for service assistance.

**CAUTION:** MOBILE DVD PLAYER IS A CLASS I LASER PRODUCT. HOWEVER THIS MOBILE DVD PLAYER USES A VISIBLE/INVISIBLE LASER BEAM WHICH COULD CAUSE HAZARDOUS RADIATION EXPOSURE IF VIEWED DIRECTLY. BE SURE TO OPERATE THE MOBILE DVD PLAYER CORRECTLY AS PER THE INSTRUCTIONS.

USE OF CONTROLS OR ADJUSTMENTS OTHER THAN THOSE SPECIFIED HEREIN MAY RESULT IN HAZARDOUS RADIATION EXPOSURE.

DO NOT OPEN COVERS AND - DO NOT REPAIR YOURSELF. REFER SERVICING TO QUALIFIED PERSONNEL.

**WARNING:**

- .. TO REDUCE THE RISK OF FIRE OR ELECTRIC SHOCK, DO NOT EXPOSE THIS EQUIPMENT TO RAIN OR MOISTURE.
- .. TO REDUCE THE RISK OF FIRE OR ELECTRIC SHOCK, AND RADIO INTERFERENCE, USE ONLY THE RECOMMENDED ACCESSORIES.
- .. THIS DEVICE IS INTENDED FOR CONTINUOUS OPERATION.

This product incorporates copyright protection technology that is protected by method claims of certain U.S. patents and other intellectual property rights owned by Macrovision Corporation and other rights owners. Use of this copyright protection technology must be authorized by Macrovision Corporation, and is intended for home and other limited viewing uses only unless otherwise authorized by Macrovision Corporation. Reverse engineering or disassembly is prohibited.

**Region Management Information**

Region Management Information: This Mobile DVD Player is designed and manufactured to respond to the Region Management Information that is recorded on a DVD disc. If the Region number described on the DVD disc does not correspond to the Region number of this Mobile DVD Player, this Mobile DVD Player cannot play this disc.

## WELCOME

---

Thank you for your purchase of Directed's Overhead Monitor. Prior to operating this unit, please fully read this instruction manual and retain it for future reference.

Congratulations on your purchase of the world's finest video entertainment system. At Directed we are committed to bringing you the most technologically advanced products available. We are pleased that you chose a Directed Mobile Media product. Through years of critical testing and hand craftsmanship, we have created a wide range of video entertainment products for your viewing pleasure.

The 10.2" Dockable / Portable Video System can provide all the functions of a television as well as the functionality of a DVD player for your viewing pleasure in the car, truck, or in your RV.

This system incorporates the use of on screen display menu controls that allow you to configure the system to suit your own personal preferences. For your listening flexibility, audio can be heard by included infrared (wireless) headphones or the built in wireless FM transmitter.

To view other great products from Directed Electronics, please visit the Directed Mobile Media page at [www.directedmobilemedia.com](http://www.directedmobilemedia.com)

## WHAT'S INCLUDED

---

The following items are included with your purchase:

- AC/DC power adapter
- AV Cable
- Car adapter
- Owner's Manual
- Carry Case
- Remote Control
- Headrest mounting bag

Home docking station with:

- 1) AM antenna
- 2) FM antenna
- 3) AC to DC power adaptor
- 4) Remote Control

Car Dock with:

- 1) Mounting plate
- 2) Hardware package
- 3) Mounting trim gasket
- 4) Diversity TV antenna system
- 5) Power Harness
- 6) Dome light harness

# IMPORTANT INFORMATION

---

## WHEN CLEANING THE VEHICLE

Do not spray this unit with water or cleaning solutions. Moisture and the chemicals found in cleaning fluids could damage the console's finish and interior electronics. A soft damp, lens cleaning cloth should be used to wipe the screen. Do NOT use any type of scouring pad, abrasive cleaners, or solvents.

## WHILE DRIVING

This unit is intended for use in the rear seat area only. It is illegal in some jurisdictions to install the unit in a location that would allow the driver to view it while driving.

## WHEN PARKED

The screen is easily visible when deployed. Always close the screen when parking for an extended period of time to avoid potential theft or extended exposure to direct sunlight.

## PROPER USE

Do not touch the screen. Do not pull or hang from the fold down monitor door.

## REPAIRS

If the monitor stops working for any reason, discontinue use immediately and consult with your retailer about any necessary repairs.

## RADIO/TV TUNER USE

When the unit is used in conjunction with a Radio/TV tuner, please assure that the receiver is manufactured to receive television broadcast signals that are transmitted via terrestrial radio waves. Reception quality will change and vary according to vehicle location and weather conditions.

## INSTALLATION

Avoid installing the monitor at a location, where it will be under direct sunlight or a hot air vent. The operating temperature of the unit is from 32–120°F (0–50°C). Install the unit at a dry location, where it is away from condensation.

Use only the correct size fasteners and cables during installation. Failure to do so may cause a mechanical or electrical failure and create a fire hazard. The installation should be done by an authorized Directed dealer.

***NOTE:** If the internal temperature of the vehicle is higher than the normal operating temperature, please allow the vehicle to cool down (or warm up if temperature is below normal operating temperature) prior to operating the unit.*

## **PICTURE QUALITY**

The picture quality of this LCD unit depends strictly on its installed location. To achieve the best picture quality, adjust the brightness control or viewing angle of the unit until the optimum viewing is achieved.

## **FCC NOTICE**

This device complies with Part 15 of FCC rules. Operation is subject to the following two conditions: (1) This device may not cause harmful interference, and (2) this device must accept any interference received, including interference that may cause undesirable operation.

Changes or modifications not expressly approved by the party responsible for compliance could void the user's authority to operate this device.



## FEATURES

---

### DP1020

- Compatible with PAL DVD (Video CD) NTSC DVD (Video CD) and MP3
- Rechargeable, battery powered DVD with 10" wide screen
- 10.2 Inch Color TFT Monitor Selectable Aspect Ratio 16:9, 4:3 & Screen Off
- On Screen Display
- Headphone Jack
- Full Function Remote Control
- IR headphone transmitter
- FM radio transmitter for audio

### Car dock (CD1020) with:

- TV tuner
- Dome lights
- A/V interface
- TV diversity antenna system
- Ability to charge batteries in DVD unit while docked.

### Home dock (HD1020) with:

- TV tuner
- Radio (AM/FM) tuner
- Clock / Alarm Clock
- A/V interface
- Speakers and amplifier
- Battery charging station for DVD when docked.

## DISC NOTES

---

Disc formats supported by this player

DVD

Video CD

CD

MP3

- .. Handling and Cleaning
- .. Dirt, dust, scratches and warped discs will cause misoperation.
- .. Do not place stickers or make scratches on discs.
- .. Do not warp discs.
- .. A disc should always be kept in its case when not in use to prevent damage to disc.
- .. Do not place discs in the following places:
  1. Direct sunlight.
  2. Dirty, dusty and damp areas.
  3. Near any heat sources.
  4. On the seats or dashboard.

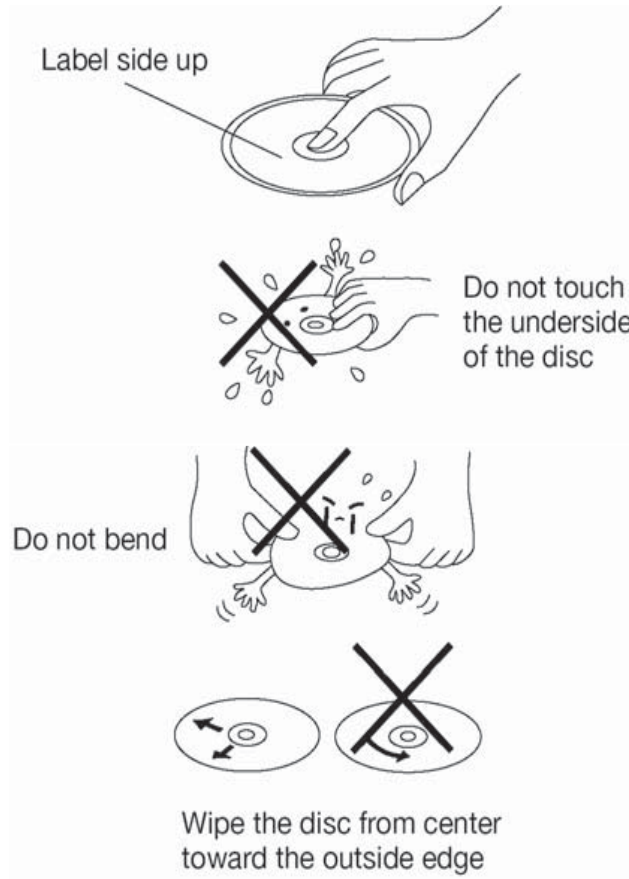
### Disc Cleaning

Use a dry soft cloth to wipe the surface. If the disc is quite dirty, use a soft cloth slightly moistured with isopropyl (rubbing) alcohol. Never use solvents such as benzine, thinner or conventional record cleaners as they may mar the surface of the disc.

### Preparing New Discs with Rough Spots

A new disc may have rough edges on its inside and outside edges. If a disc with rough edges is used, disc may not be clamped correctly and the player will not play the disc. Therefore, remove the rough edges in advance by using a ballpoint pen or pencil as shown below. To remove the rough edges, run the side of the pen or pencil around the inside and outside diameters of the disc.

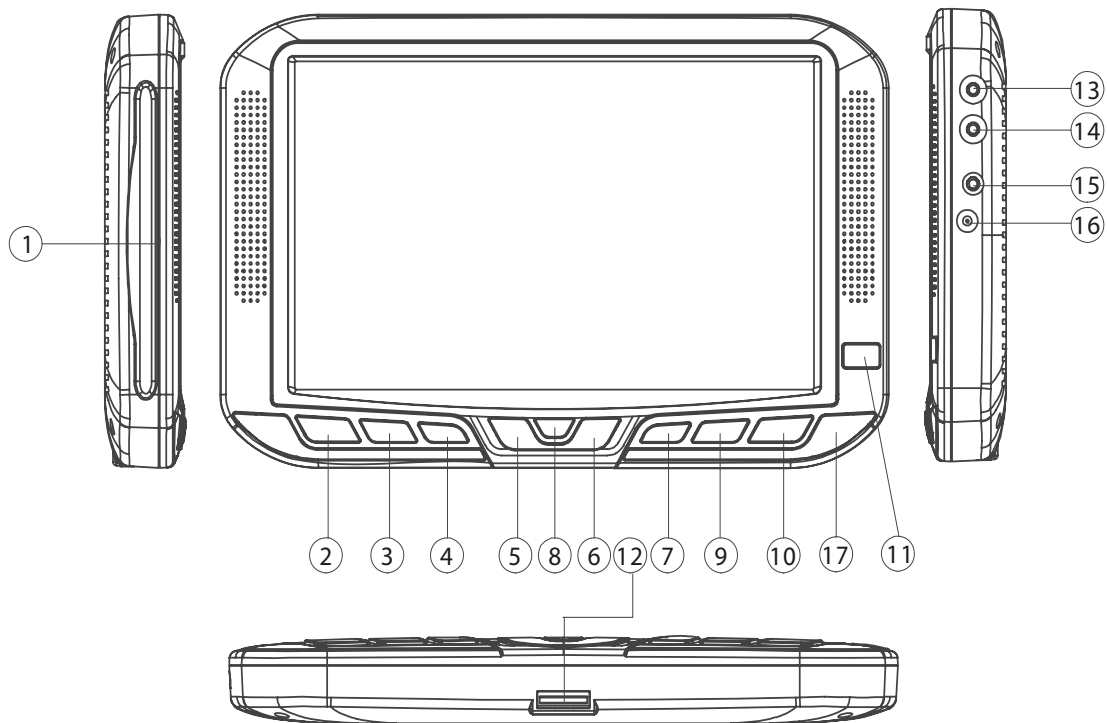
Note: A disc may become somewhat scratched (although not enough to make it unusable) depending on the way it is handled and conditions in the usage environment. Note that these scratches are not an indication of any problem with the player.



# DVD OPERATION

---

## DVD Player



1. Disc Slot
2. ON-OFF/STOP
3. SETUP/MENU
4. left navigation / back or previous
5. /VOL-
6. /VOL+
7. right navigation / forward or next
8. OK
9. PAUSE/MODE
10. MUTE/EJECT
11. IR (Remote Sensor)
12. 17 Pin Shuttle Interface Connector
13. AV IN
14. AV OUT

- 15. Earphone Jack
- 16. DC 12V IN
- 17. IR transmitters for IR headphones

**Portable DVD main unit system settings:**

Menu Function

Shortly press SETUP button on the front panel or MENU on remote during DVD, AV, or TV mode to display the adjustment items on screen 1. Use the up / down navigation buttons on the DVD or remote to select the item and the left / right navigation buttons on the DVD or remote to adjust the settings.

(Screen 1)

BRIGHTNESS	adjust 0 to 63 preset at 32
CONTRAST	adjust 0 to 63 preset at 32
COLOR	adjust 0 to 63 preset at 32
TINT	adjust 0 to 63 preset at 32
SCREEN	select screen size 4:3 or 16:9 preset at 16:9
RESET	back to presets

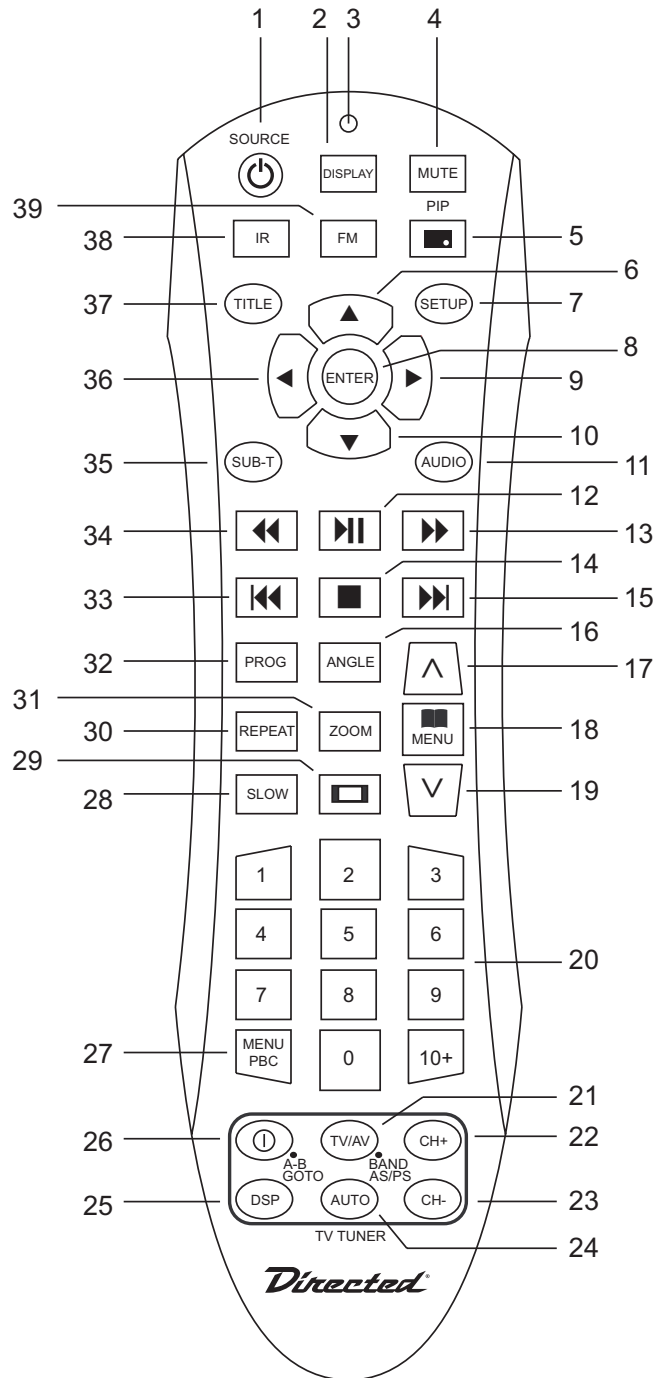
Select and hold down the MENU button on the remote to switch to screen 2. Selections and adjustments are made the same as in screen 1 except in FM frequency select mode. In FM mode pressing the left / right navigation buttons once will give you one step down / up. Holding down the left / right navigation button will quickly scan down / up the frequencies.

(Screen 2)

IR	ON / OFF
3D (sound enhancement)	ON / OFF
FM	(Select frequency for FM transmitter.)

# REMOTE CONTROL

The frequently used buttons are described below.



1. POWER and video SOURCE button: Press and hold to turn the unit ON or OFF. When the unit is on, press SOURCE button to change the mode.
2. DISPLAY button: Display satistical disc information during playback.
3. Ambient light sensor (for remote button back lighting)
4. MUTE button: Press it to mute the surround, pressing it again will resume the

sound.

5. PIP button (Picture in Picture): This key is not used.
6. Select UP button: In case of menu mode, this button serves as cursor button to select item ahead.
7. SETUP button: Display the SETUP menu.
8. ENTER button: Confirm the Track/Chapter selected with the numeric buttons or selected with the cursor buttons on screen display.
9. Select RIGHT button (or increase): In case of menu mode, this button serves as cursor button to select item right.
10. Select DOWN button: In case of menu mode, this button serves as cursor button to select item back.
11. AUDIO button: Changing of the AUDIO soundtrack on multi-audio soundtrack DVD disc. Changing of the sound mode of the VCD discs.
12. PAUSE button: Press it for the first time to pause the playback, press it again will resume the playback.
13. FAST FORWARD button: Press to search forward rapidly, Press to search reverse rapidly.
14. STOP button: Press it for the first time to pre-stop the unit playback, press it again to stop the playback.
15. NEXT button: Press to skip to the next track & press to skip back one track.
16. ANGLE button: Changing of the view angle on multi-angle DVD disc.
17. UP (display): Change the highlight bar (on screen display) up or down.
18. MENU: Display the root menu that is stored on the DVD disc. Quick press to display the screen menu, press and hold MENU button to display the IR and FM on/off menu. Console
19. DOWN (display): Change the highlight bar (on screen display) up or down.
20. Numeric: 0-9, Numeric buttons; 10+, Tens digit select button, cooperatively used with numeric buttons.
21. TV/AV (selects Tuner or Aux input): Shortly press it to select Tuner or Aux input. In radio mode, press and hold BAND button to change the band FM1/FM2/FM3/AM.
22. CH+: Channel up
23. CH-: Channel down
24. AUTO (auto programming of TV channels): In TV mode pressing AUTO button to auto program TV channels. In radio mode, press and hold AS/PS to enter auto

matic memory storing function.

25. DSP (channel display): GOTO is disc search button, cooperatively used with numeric buttons. In TV mode, shortly press DSP to display the channel information.
26. TV Tuner power (A-B): Power function is not used in this model. In DVD mode, press and hold A-B will allow a passage to be repeated continuously.
27. MENU/PBC: Changing between PBC ON and PBC OFF on the VCD disc.
28. SLOW: Changing for slow forward/reverse playback motion.
29. Image (wide, zoom, full, normal): Changing the image among wide, zoom, full and normal.
30. REPEAT: Switch the Repeat mode of discs.
31. ZOOM (2, 3, 4, 1/2, 1/3, 1/4, OFF): Allows the picture to be increased in size.
32. PROGRAM: Allows the track played in the order you programmed.
33. BACK: Press to skip to the next track & press to skip back one track.
34. F.REV (Fast Reverse): Press to search forward rapidly, Press to search reverse rapidly.
35. SUBTITLE (on/off): Display the subtitle language of the DVD disc (if the disc is created with subtitles). Each time the button is pressed, the subtitle language will change.
36. LEFT (Cursor): In case of menu mode, this button serves as cursor button to select item left.
37. TITLE: Display the TITLE menu that is stored in DVD disc.
38. IR (on/off): Switch the infrared transmitting on or off.
39. FM (on/off): Press it to turn FM on/off.



## **BATTERY REPLACEMENT**

The remote control unit uses (2) AAA batteries.

### Inserting the Batteries

1. Open the battery compartment cover.
2. Insert the new battery. Make sure that the positive and negative terminals of the battery are oriented as indicated.
3. Close the cover.

### Using the Remote Control

1. Face the remote control towards the player front face IR mark (remote control signal receiver).
2. Operation angle: About  $\pm 30$  degree in each the direction of the front of the IR mark.

## **PRECAUTIONS**

1. Properly dispose of used battery.
2. Do not misuse battery by shorting the positive "+" and negative "-" terminal or put it into fire. Overheating may cause the battery to explode and cause a fire hazard.
3. If the remote is not to be used for a long period, remove the battery from the remote to prevent damage from battery leakage.
4. To avoid accidents, prevent children from playing with the battery.

## **DVD OPERATION**

---

### TURN THE UNIT ON/OFF

#### Turning on the Player

After all connections are completed correctly, press and hold power button on the front panel or press and hold on the remote control to turn on the power.

#### Turning off the Player

When the power is on, press and hold power button on the front panel or shortly press and hold on the remote control to turn off the power.

#### Remote Sensor (IR)

Point the remote handset to the remote sensor IR on the DVD unit. Receiving the signal from the remote handset.

#### Loading a Disc

Insert the disc into the disc slot on the left side of the unit with the printed side facing up, the player will play the disc automatically.

#### Removing a Disc

When the disc stops playing, press and hold EJECT button on the front panel to eject the disc.

### BASIC PLAY

#### Stopping Playback

Shortly press button on the remote control one time to pre-stop the unit playback. When OK button on the front panel or ENTER on the remote control is pressed, normal playback will continue. Press button again will stop the playback and go back to the DVD LOGO.

#### Pausing Play/Step Play

Shortly pressing on the front panel or on the remote control for the first time during playback will stop playback temporarily. To return to normal playback, press again or press ENTER button on the remote control or OK button on the front panel. If you play a DVD/VCD/SVCD, press again to stop at the next picture (step function). If you play a CD/MP3/Picture CD, pressing again is ineffective.

#### Rapid Forward / Rapid Reverse

Press & during playback. Each time the button is pressed, the speed of rapid forward /reverse changes according to the disc as follows.

DVD/VCD/CD/MP3: Normal playback X2 X4 X8 X20

## Slow Motion Playback (For DVD Only)

Press SLOW button on the remote control during play. Each time the button is pressed, the speed of slow forward /reverse changes according to the disc as follows.

DVD: Normal playback SF1/2 SF1/3 SF1/4 SF1/7 SF1/6 SF1/5

In slow motion state, press OK on the front panel or ENTER on the remote control to recover the normal playback.

## Skipping Track

Press / buttons on the remote control or press and hold / on the front panel during playback. Press to skip to the next track, and press to skip to the previous track.

Note: For some VCD2.0 discs (PBC-playback control), / buttons may be unavailable.

## Volume Level Adjustment

Press and hold VOL+/- button on the front panel to increase or decrease the volume level. Shortly press on the front panel or MUTE button on the remote control will mute the sound, shortly press or MUTE again will resume the sound.

## DVD Video Menu Play

When playing a DVD disc in the DVD player:

- 1) The disc will be played automatically and stop at menu picture.
- 2) Use / , / cursor buttons to move between the highlight bars in the menu.
- 3) Press OK button on the remote control or ENTER button on the front panel to confirm the selected item. Mode Selection

Press and hold MODE button on the front panel or press SOURCE button on the remote control to change the mode.

## Menu Function

Shortly press SETUP button on the front panel during DVD, AV, TV mode to display the adjustment items on the screen.

BRIGHTNESS 32

CONTRAST 32

COLOR 32

TINT 31

RESET

Press / buttons on the DVD unit or / buttons on the remote control to select among BRIGHTNESS, CONTRAST, COLOR and TINT (For the unit with NTSC system) items and etc. Press / buttons on the DVD unit shortly or press / buttons on the remote control to adjust the corresponding item.

#### Menu Function

Press the MENU button on the remote control during DVD mode will return to the MENU stored in the current disc.

#### PBC FUNCTION (For VCD Disc)

While the VCD disc is playing, press PBC button on the remote control to change between PBC ON and PBC OFF on the VCD disc.

#### Repeat Playback

##### FOR DVD:

Press REPEAT button on the remote control to select repeat mode as follow:

CHAPTER REPEAT ON      TITLE REPEAT ON      REPEAT OFF

##### FOR VCD/CD:

In stop mode, press REPEAT button to select repeat mode as follow.

REP-ONE                      REP-ALL                      REPEAT OFF

1. Continuously repeat at the current chapter/track, when selected REP-ONE mode.
2. Select REP-ALL mode to continuously repeat all chapter/track on the current disc.
3. When the player finish playback the current disc last chapter/track, it will stop display the elapsed time. When selected REPEAT OFF mode, REP-ONE & REP-ALL disappear at the screen display.
4. REPEAT feature does not support VCD2.0 (with PBC ON).

#### A-B

A-B repeat allows a passage to be repeated continuously. Press and hold A-B button on the remote control at the start of the required passage, then press and hold A-B button again at the end of the passage. To revert to normal playing, press and hold A-B button again.

#### Multi-audio Language Function

##### For DVD

Shortly press AUDIO on the remote control during playback. Each time the button is pressed, the audio soundtrack language changes on sequential order.

#### Notes:

- The language number is different according to the disc.
- Some discs only contain one language soundtrack.
- When no different language soundtracks are recorded, will be displayed at screen left top corner.

#### For VCD/CD

Press AUDIO on the remote control during playback. It is possible to switch the sound between monaural and stereo sound.

#### MONO LEFT MONO RIGHT STEREO

Title Menu Function (For DVD Only) If the DVD has multiple titles recorded on the disc. It can select preferred title from the title menu to start playback.

1. Press TITLE on the remote control during playback.

- The title menu is display.

2. Press the cursor button shown in screen display, select preferred title by the cursor button and confirm by OK button on the DVD unit or ENTER on the remote control.

#### Multi-Subtitle Language Function

(For DVD only)

Press SUB-T on the remote control during playback. Each time the button is pressed, the subtitle language changes in sequential order.

#### Notes:

- The language number is different according to the disc.
- Some discs only contain one subtitle language.
- When no different subtitle language are recorded, will be displayed at screen left top corner.

#### Multi-angle Function (For DVD only)

Press ANGLE on the remote control during playback.

Each time the button is pressed, the angle changes in sequential order.

#### Notes:

- The angle number is different according to the disc.
- The function only works for discs having scenes recorded at different angles.
- When no different angle is recorded, will be displayed at screen left top corner.

## SETUP

.....

In DVD mode, when the disc is playing or in stop mode, press and hold SETUP on the DVD unit to enter setup menu.

.. When the cursor is on the topside, use / buttons to move between the different pages.

.. Press button to move the cursor to the setup page below and then you can use / buttons to move between the different setup options.

.. Press button to display the choice list for each setup option and then use / buttons and ENTER button or OK to change your selection.

### System Setup

#### 1) TV SYSTEM

TV SYSTEM setup allows to select the system to fit to the color system of the TV to be connected.

NTSC—Select this system for NTSC TV.

PAL—Select this system for PAL TV.

AUTO—Select NTSC and PAL automatically.

#### 2) SCREEN SAVER

If there is no operation for some time the DVD player will enable the screen saver mode. You can setup the waiting time among 1MIN, 5MIN, 10MIN, 30MIN and OFF.

#### 3) TV TYPE

Selecting the screen aspect ratio among 4:3PS, 4:3LB and 16:9.

#### 4) PASSWORD

Setup the password of the unit. For the first time use the default password "0000" to unlock the unit.

#### 5) RATING

Setup the parental rating: NO ADULT, KID SAFE or VIEW ALL.

#### 6) DEFAULT

To restore the default value.

## Language Setup

### 1) OSD LANGUAGE

Supporting OSD language: ENGLISH, CHINESE, GERMAN, SPANISH, FRENCH and PORTUGUESE.

### 2) AUDIO LANG

Supporting audio language: CHINESE, ENGLISH, JAPAN, FRENCH, SPANISH, PORTUGUESE, LATIN and GERMAN.

### 3) SUBTITLE LANG

Supporting subtitle language: CHINESE, ENGLISH, JAPAN, FRENCH, SPANISH, PORTUGUESE, GERMAN and OFF.

### 4) MENU LANG

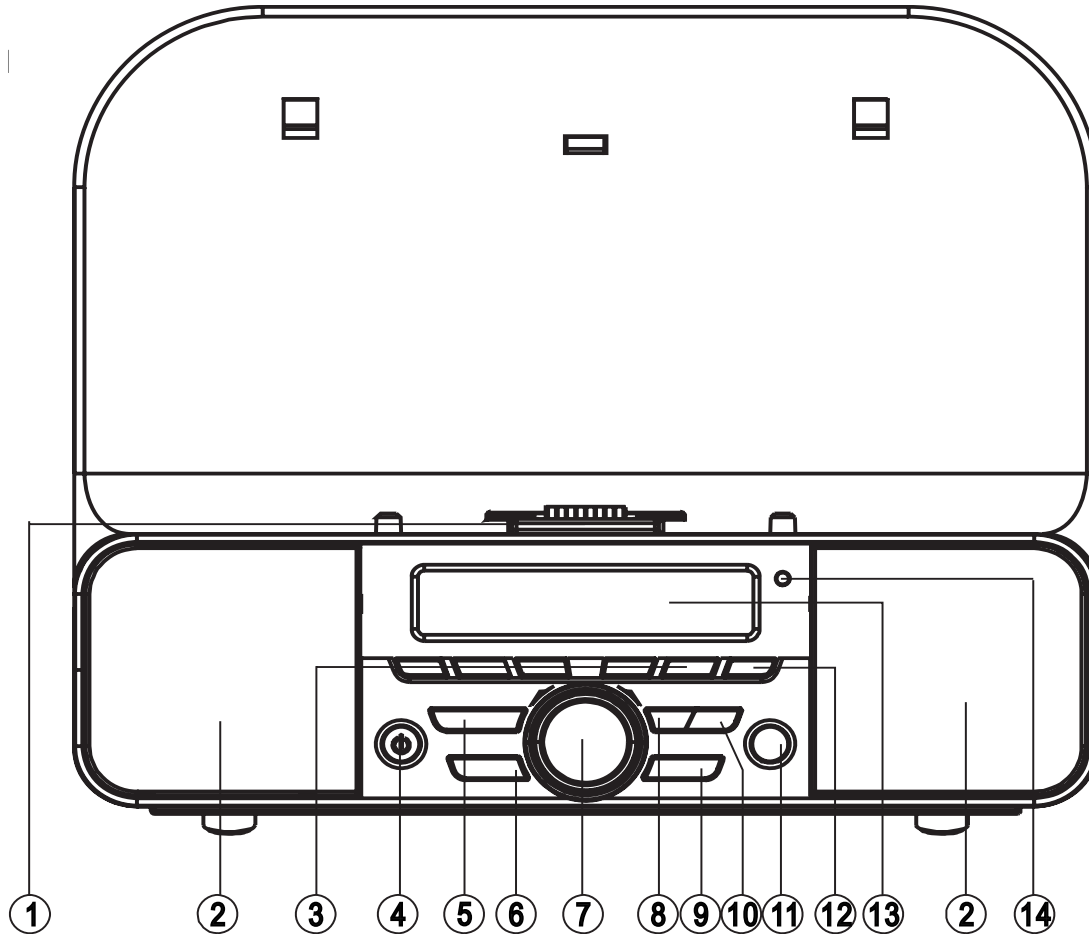
Supporting MENU language: CHINESE, ENGLISH, JAPAN, FRENCH, SPANISH, PORTUGUESE, GERMAN and LATIN.

## AUDIO SETUP

In AUDIO SETUP menu, you can adjust the treble and bass, there are seven levels (b, -4, -2, 0, +2, +4, #) you can choose.

## DOCK FOR DVD UNIT

This Docking System has been designed exclusively for the shuttle models with built-in TV Tuner (not functional in all markets), AF/FM Radio, Clock and Alarm. You can place it in your home or office.

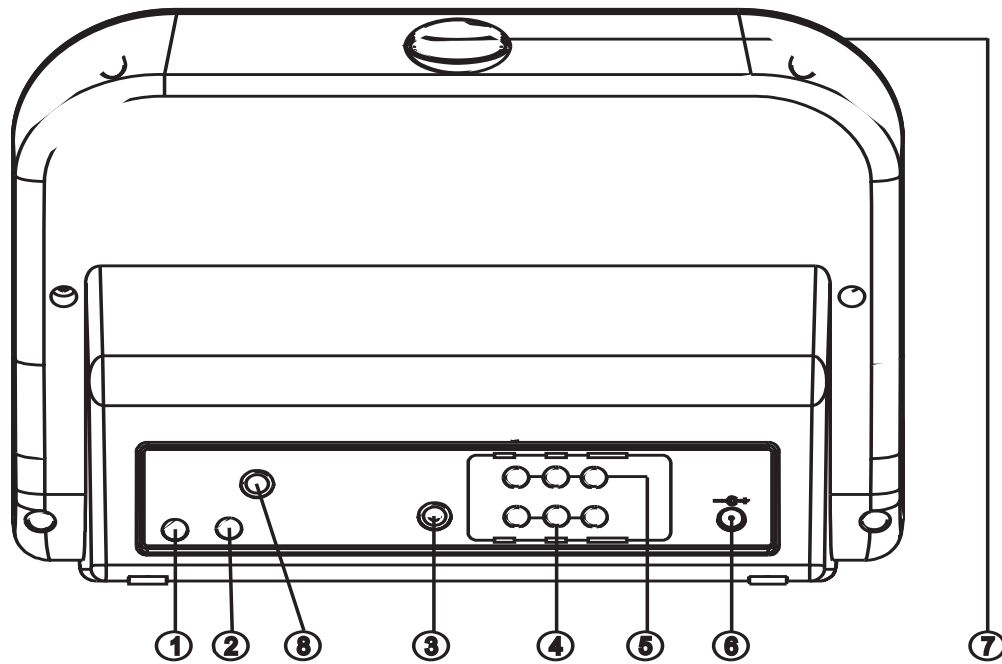


1. 17 PIN Shuttle Interface Connector
2. Speakers for Shuttle Models
3. Numeric Buttons (1-5)
4. Power Button
5. TUN+/-
6. BAND
7. VOLUME UP/DOWN Button (also sleep / snooze / and clock - alarm time set)
8. DSP, switches between clock and active display (also selects time setting mode for clock and alarm) turns on alarm
9. SEL, Select Volume-Bass-Treble-Balance modes and adjust with "Volume" knob.



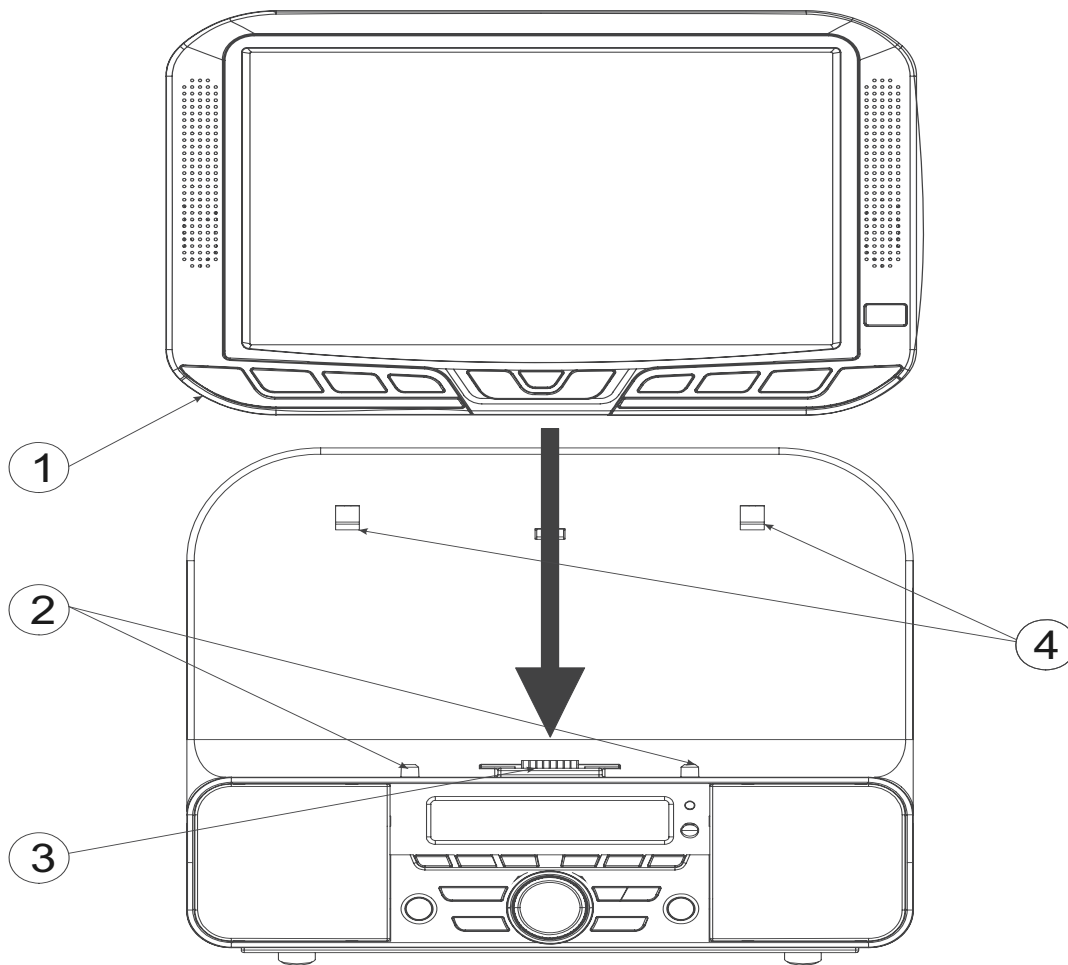
10. EQ, Selects EQ preset modes (Flat - Classical - Rock - Pop) or hold down to select 3D sound mode on or off
11. MODE, Switch between DVD - TV - AV1 - AV2 - Radio Tuner (in radio tuner mode use "Band" switch to select FM1 - FM2 - FM3 - AM)
12. AMS, search for TV or radio stations and program into presets
13. LCD Display Window
14. IR (Remote Sensor)

## Back View and Connection



1. Earphone jack.
2. AM ANT—Connect the AM radio antenna to this jack.
3. TV ANT—Connect the coaxial cable from an antenna or cable TV system to this jack.
4. AV OUT—AUDIO/VIDEO output interface.
5. AV IN—AUDIO/VIDEO input interface.
6. DC 12V IN—DC 12V input interface.
7. Release Button—Press this button to release the shuttle unit.
8. FM antenna—connect the FM radio antenna to this jack.

## Install the DVD Player to the Dock



Note: Be sure to turn the power off before installing the shuttle.

a. Insert the bottom part of the DVD unit (1) into the lower part of the docking station(2)

b. Center the DVD player in the docking station (refer to the arrowhead instruction). There are two holes on the bottom of the DVD unit, Gently push the DVD player into the docking station, the four tabs (2)(4) on the docking station, will buckled with the DVD unit.

c. Removing the DVD unit from the docking station, just press the Release button (refer to the previous page), and tack out the DVD unit.

### Open the Docking Station

After all connections are completed correctly, press power button on the front panel of the docking station to turn it on or off.

## Mode Selection

There are three methods to change the mode among DVD, TV, AV and RADIO.

- 1) Press and hold MODE button on the front panel of the DVD unit.
- 2) Press and hold SOURCE button on the remote control.
- 3) Shortly press MODE button on the front panel of the docking station.

## Radio Operation

1) Selecting the frequency band Shortly press BAND button on the docking station panel or press and hold BAND button on the remote control to change the band among: FM1..FM2..FM3..AM.

2) Automatic memory storing & program scanning Automatic memory storing: Press and hold AS/PS button on remote control for about several seconds or press AMS button on the docking station panel.

Program scanning: Press and hold AS/PS button on remote control or press AMS button on the docking station panel to scan preset station. And it will hold at each station for about 5 seconds.

### 3) Setting memory

Press numeric buttons (1~5) on docking station panel or on the remote control to preset stations at radio mode. Each band stores up to five preset stations. The stations might be FM1, FM2, FM3 and AM. The operation is as below: Store in Memory: Press and hold several seconds. The current listening station will be stored into the number button.

Retrieve a Preset Station: Press any one of the numeric buttons (1~5) on docking station panel to retrieve a station which had been stored in the memory in advance.

4) Selecting station During radio mode, shortly press TUN+/- buttons on the docking station panel to increase / decrease the frequency, shortly press TUN+/- buttons on the docking station panel to decrease frequency by one step of channel spacing. Hold the button longer for fast tuning. TV Operation

### 1) Auto searching TV channels

Press AUTO button on remote control or press and hold AMS button on the docking station panel for several seconds to start search channel automatically. In the course of searching, press CH button on the remote control or TUN on the docking station panel to stop searching.

### 2) Selecting channel

Press CH+/- buttons on remote control or TUN+/- buttons on the docking station panel to choose channel up or down. The numeric buttons (0,1~9) allows to select

the corresponding channel directly.

### 3) Screen display

Press DSP button on remote control or on docking station panel to display the current status such as TVch. If there is no operation for more than five seconds, the information on the screen will disappear.

### Setting the Time

#### 1) Setting the clock

Setting the Clock or Alarm Time (Home Dock must be powered on)

#### 1) Setting the clock

Briefly press DSP button on docking station panel, the time display will appear on the home dock LCD display. Press SEL button once, the hour will flash. Press SEL button again the minute will flash. you can adjust the hour or minute's value while flashing by rotating the VOLUME knob clockwise or counter-clockwise to increase or decrease the value. Then press DSP again to confirm the change.

2) Setting the alarm time Press and hold DSP button on the docking station panel will enter the alarm time setting mode. Like setting the clock, press SEL button to select hour or minute, then rotating VOLUME knob to adjust the hour or minute's value.

To cancel the alarm, just press and hold DSP button to open the alarm time, then press and hold DSP again to cancel.

[Alarm icon display is a bell just left of and above the AM/PM indicator of the home dock LCD display. Be sure icon is displayed or alarm will not function. The alarm must be set every time you need to use it. It will not automatically repeat.]

#### Note:

- a. When alarming, press any button (except the VOLUME knob) to stop alarming.
- b. When alarming, Press SNOOZE (VOLUME) button will stop alarming for three minutes. After three minutes will alarm will sound again. (NOTE: This will only function once and the alarm time will be moved forward by 3 minutes.)

AUTO TURN ON (Can only be set while the home dock is powered off)

3) Auto turn on the docking station (wake to music) can only be set when the docking station is powered off. Briefly press DSP button on the home docking station panel to set the desired time to auto turning on the home docking station.

Be sure you have set the volume level and source selection (MODE) to the desired selections.

[Auto-on icon display is a musical note just left of and above the AM/PM indicator of the home dock LCD display. Be sure icon is displayed. If the ALARM (bell) icon is displayed pressing the DSP button will cycle through the modes, but check your auto-on time after stepping through the modes to make sure the auto-on time did not clear.]

Note: To set the time to auto turn on the home docking station is the same as setting the alarm time above. (see step 2)

AUTO TURN OFF / SLEEP (Can only be set while the home dock is powered on)

Auto turn off (Sleep mode) can only be set when the docking station is powered on and working (except alarming). Press and hold Push SLEEP (VOLUME) button until 15 MIN appears in the home dock screen. Pushing and releasing the VOLUME button will step through 15, 30, 35, 60, 90, 120 Minutes and OFF

When SLEEP is activated the word SLEEP is displayed in the lower left corner of the home dock LCD display.

## 2) Setting the alarm time

Press and hold DSP button on the docking station panel will enter the alarm time setting mode. Like setting the clock, press SEL button to select hour or minute, then rotating VOL UME knob to adjust the hour or minute's value.

To console the alarm, just press and hold DSP button to open the alarm time, then press and hold DSP again to console.

Note:

- a. When alarming, press any button (except the VOLUME knob) to stop alarming.
- b. When alarming, Press SNOOZE(VOLUME) button will stop alarming for two seconds. After two seconds will alarm again.

## 3) Auto turn on/off the docking station

When the docking station is not on working, shortly press DSP button on the docking station panel to set the time of auto turning on the docking station. When the docking station is on working (except alarming), press and hold Push SLEEP (VOLUME) button on the docking station panel to set the time of auto turning off the docking station.

Note: To set the time of auto turning on/off the docking station is like to setting the clock.

## Other Operation

### 1) EQ

Shortly press EQ button on docking station panel to to turn on qualization function

and to select desired audio mode among CLAS..ROCK..POP..FLAT. Press and hold EQ button to change the 3D mode ON or OFF.

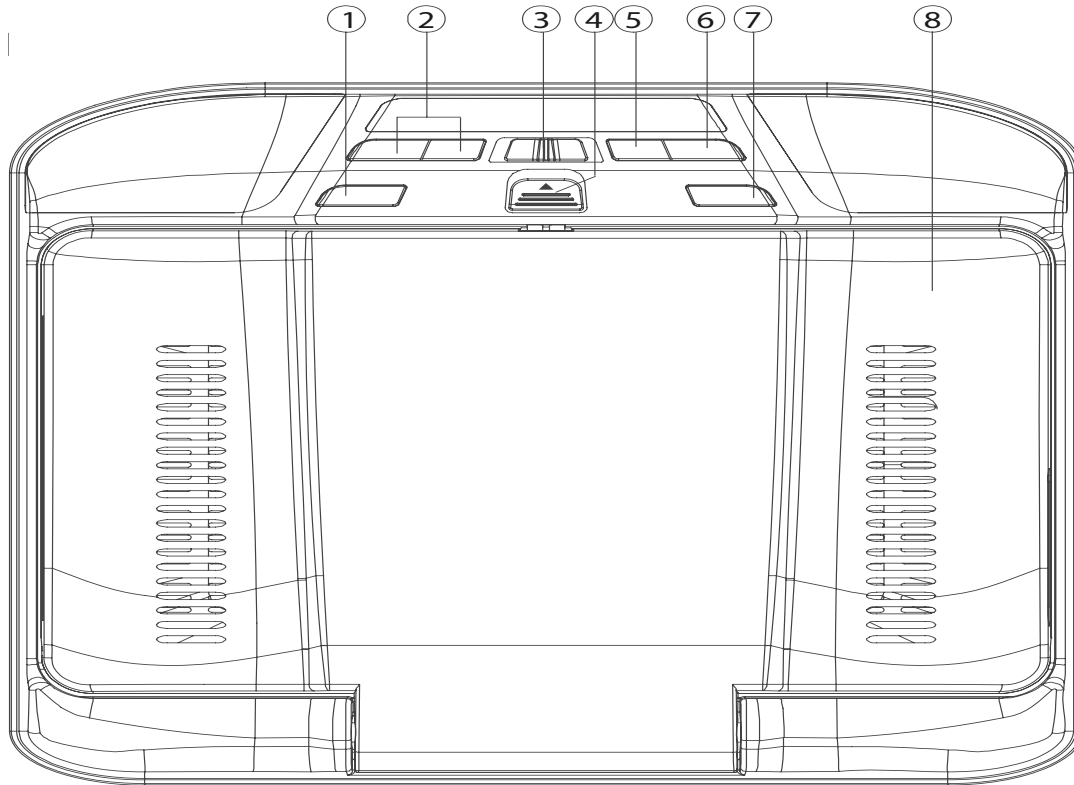
## 2) SEL

Press SEL button to select the desired adjustment mode. The adjustment mode will change in the following order: VOL..BAS..TRE Rotating the volume knob (11) clockwise or counter-clockwise to adjust the desired sound quality.

## BKT FOR DVD UNIT

.....

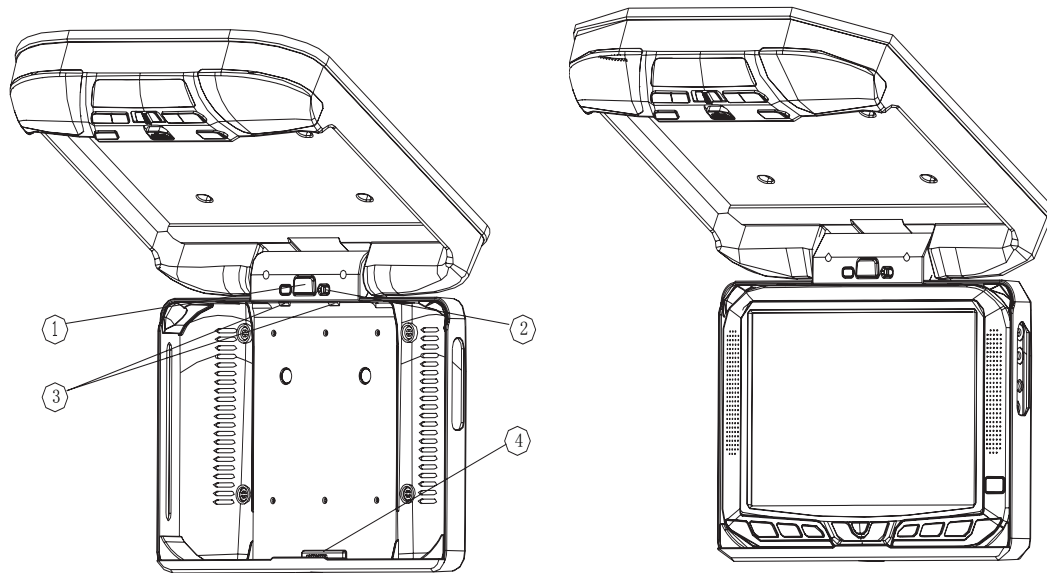
This Car Dock for DVD unit Docking System has been designed exclusively for the shuttle models with built-in TV Tuner (not functional in all markets), You can use it to install the DVD unit on a car.



1. POWER—Press it to turn the power on or off.
2. CH+/-—Press it to change the channel up or down.
3. ON-AUTO-OFF—Car dome lamp switch.
4. Lock Button—Press it to open the panel.
5. AUTO—Auto scan the channel.
6. FMT - Scroll through FM frequencies or FM OFF (hold button down to quickly scan through frequencies) [below the lowest frequency or above the highest frequency is FM OFF].
7. SOURCE - Scroll through DVD, AV inputs, and TV tuner.
8. Cover



## Install the DVD Player to the Dock



Note: Be sure to turn the power off before installing the shuttle.

- a. Insert the bottom part of the DVD unit into the lower part of the docking station(4). Be sure lock tab (2) is moved to the right before inserting the DVD.
- b. Center the DVD player in the docking station, Gently push the DVD player into the docking station, the two tabs (3) on the docking station, will latched with the DVD unit (Refer to the right picture above.) Once the units are docked lock tab (2) can be engaged by pushing it to the left, this will prevent the DVD from coming loose.
- c. For getting a nice view, you can change the DVD angel (0-180°) by rotating the docking station's panel. Pushing the screen forward or pulling it back to get the best viewing angle
- d. Removing the DVD unit from the docking station, just push the lock button (2) to the right side to unlock the cover, then press the release button (1), and tack out the DVD unit.

### Mode Selection

Press SOURCE button on the docking station panel to change the mode.

### TV Operation

#### 1) Auto searching TV channels

Press AUTO button on remote control or on the docking station panel to start search channel automatically. In the course of searching, press CHbutton on the remote

control or on the docking station panel to stop searching.

## 2) Selecting channel

Press CH+/- buttons on remote control or on the docking station panel to choose channel up or down.

The numeric buttons (0,1~9) allows to select the corresponding channel directly.

## 3) Screen display

Press DSP button on remote control or on docking station panel to display the current status such as TVch. If there is no operation for more than five seconds, the information on the screen will disappear.

## Other Operation

### 1) Dome Lamp Switch

There are two dome lamps on the docking station, you can use dome lamp switch to turn it on or off.

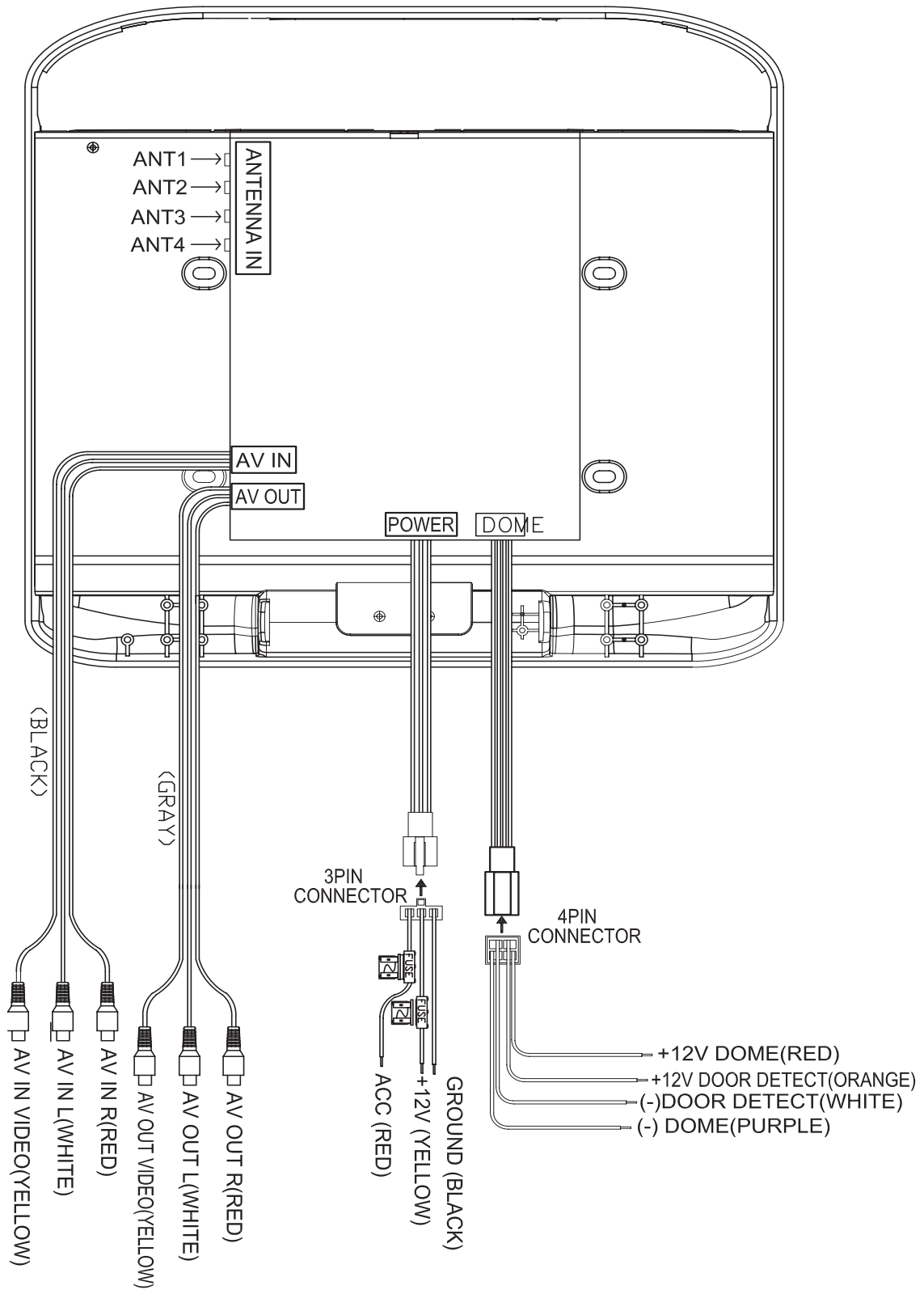
When the switch is on AUTO position, if you open the door of the car, the lamp will turn on, when the door closed, the lamp will turn off.

### 2) FM Transmitter Function

Press FMT button on the docking station panel to change the transmit frequency or turn the FM transmitter on or off. The transmitting frequency can be selected from 97.5M to 107.9M. One step below 97.5 and one step above 107.9 is FM off

FM can also be turned off with FM button on the remote control.

# CAR DOCKING WIRE CONNECT DIAGRAM



## **TROUBLE SHOOTING**

.....

If it appears that your DVD unit is faulty, first consult this checklist. It may be that something simple has been overlooked. Under no circumstances should you try to repair the player yourself, as this will invalidate the warranty. Only

qualified service personnel can remove the cover or service this player.

### *NO POWER*

- .. Check if the on/off button on the front of the player is set to on.*
- .. Check if AC or DC power plug of the mains unit is properly connected.*
- .. Check if there is power at the AC or DC outlet.*
- .. Check if the voltage is properly connected to the DVD unit or if the voltage of the battery is too low.*

### *NO PICTURE*

- .. Select the correct TV or AV input.*
- .. Check the video connection.*

### *DISTORTED PICTURE*

- .. Check the disc for fingerprints and clean with soft cloth, wiping from center to edge.*
- .. Sometimes a small amount of picture distortion may appear. This is not a malfunction.*

### *COMPLETELY DISTORTED PICTURE*

- .. The disc format is not according to the TV-set used (PAL/NTSC).*

### *NO COLOR IN PICTURE*

- .. The disc format is not according to the TV-set used (PAL/NTSC).*

### *DISC DOES NOT PLAY*

- .. Ensure the disc label is upwards.*
- .. Clean the disc.*
- .. Check if the disc is defective by trying another disc.*

### *NO SOUND*

- .. Check audio connections.*
- .. If using a HIFI amplifier, try another sound source.*

*.. If there is no sound when using wireless headphone, Check if the IR of/off is set to ON and make sure the batteries in the headphones are good.*

#### *NO RETURN TO START-UP SCREEN WHEN DISC IS REMOVED*

*.. Press and hold power button to turn off the unit, then press it again to turn on the unit.*

#### *THE PLAYER DOES NOT RESPOND TO THE REMOTE CONTROL*

*.. Aim the remote control directly at the sensor on the front of the player.*

*.. Avoid all obstacles which may interfere with the signal path.*

*.. Inspect or replace the remote control batteries.*

#### *DISTORTED OR B/W PICTURE*

*.. The disc format is not according to the TV-set used (PAL/NTSC).*

#### *BUTTONS DO NOT WORK*

*.. Turn the player off and on with the power on/off button on the front of the player.*

## SPECIFICATIONS

Supply voltage: 12V DC (11V-15V), test voltage 14.4V, negative ground

Current consumption: Less than 2A

Battery charge voltage: 12V DC

Signal system: Compositive video  $1.0\pm 0.2V_{p-p}$  75.

Discs played:

- (1) DVD-VIDEO disc
- (2) Compact disc (CD-DA/CD-R/CD-RW/MP3/MP4)
- (3) VIDEO CD

Audio output level: 10k. (2 ch  $2.0\pm 0.5V_{rms}$ )

Audio signal output characteristics:

- (1) Frequency response: 20 Hz-20 kHz
- (2) S/N ratio: 80 dB (JIS)
- (3) Wow and Flutter Below measurable limits

Note:

Specifications and design are subject to modification, without notice, due to improvements in technology. This product incorporates copyright protection technology that is protected by method claims of certain U.S. patents and other intellectual property rights owned by Macrovision Corporation and other rights owners. Use of this copyright protection technology must be authorized by Macrovision Corporation, and is intended for home and other limited viewing uses only unless otherwise authorized by Macrovision Corporation. Reverse engineering or disassembly is prohibited.

<b>System</b>		
Laser (If DVD is installed)	Semiconductor laser	
Signal Formats	NTSC, PAL	
<b>Audio Characteristics</b>		
Frequency Response (If DVD is installed)	DVD Video (PCM@ 96kHz)	20 Hz - 40 kHz ± 1dB
	DVD Video (PCM@ 48kHz)	20 Hz - 20 kHz ± 1dB
	CD	20 Hz - 20 kHz ± 1dB
Signal-to-Noise Ratio	90dB	
Harmonic Distortion	0.01%	
Dynamic Range (If DVD is installed)	DVD Video	95dB
	CD	95dB
<b>Line level A/V outputs</b>		
Audio (RCA jacks)	2 Vrms	
Video (RCA jack)	1 V p-p @75 ohms	
<b>Line level A/V inputs</b>		
Audio (RCA jack)	2 Vrms	
Video (RCA jack)	1 V p-p	
<b>General</b>		
Power Requirements	14.4 VDC, 3.35 amps	5A fuse
Power Consumption	42.6 watts	
Dimensions	345 mm x 65 mm x 282 mm (length/height/width)	15.25 in. x 3 in. x 18.75 in. (length/height/width)
Mass	2.3 kg	3 lbs
Operating Temperature	0°–50°C	32°–120°F
Operating Humidity	10% to 90%	

**NOTE:** Specifications and design are subject to change without notice.

**NOTE:** The unit will automatically power off once the ACC is turned off (ignition key off).  
Ensure that the RED (+ACC) wire is connected to ACC power.







**The company behind this system is Directed Electronics.**

Since its inception, Directed has had one purpose, to provide consumers with the finest vehicle security, car stereo products, rear seat entertainment, and accessories available. The recipient of more than 20 patents in the field of advanced electronic technology, Directed is ISO 9001 registered.

Quality Directed Electronics products are sold and serviced throughout North America and around the world.

Call **(800) 274-0200** for more information about our products and services.



Directed Electronics is an ISO 9001 registered company.

Directed® is committed to delivering world-class quality products  
and services that excite and delight our customers.

***Directed***<sup>®</sup>  
E L E C T R O N I C S

Directed Electronics  
Vista, CA 92081  
[www.directed.com](http://www.directed.com)

© 2006 Directed Electronics—All rights reserved  
N92102 02-06